



**THE VIETNAMESE EUCHARISTIC YOUTH SOCIETY
IN THE USA**

STUDENT WORKBOOK

SEARCH DIVISION

LEVEL III



Saint Name: _____

Name: _____

Team: _____

Division Youth-Leader: _____

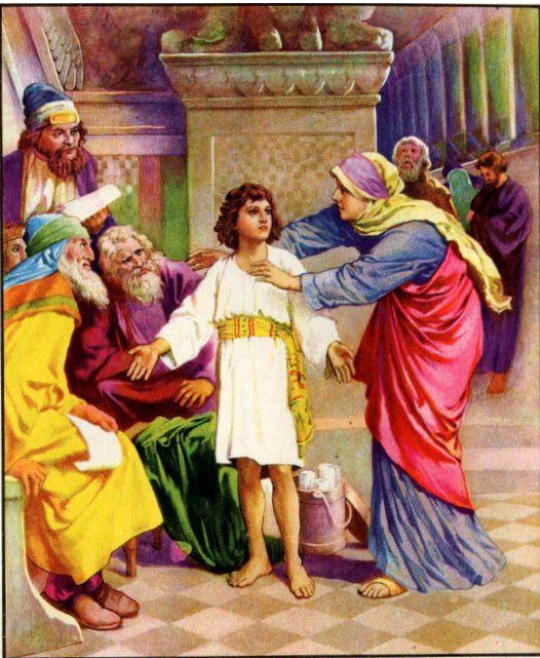
Chapter: _____

Region: _____

Nhận Thức Ở Gọi

Acknowledgement of Discipleship

Word of God



Luke 2:41 – 51

Hằng năm, cha mẹ Đức Giê-su trở về Giê-ru-sa-lem mừng lễ Vượt Qua. Khi Người được mười hai tuổi, cả gia đình cùng lên đền, như người ta thường làm trong ngày lễ. Xong kỳ lễ, hai ông bà trở về, còn cậu bé Giê-su thì ở lại Giê-ru-sa-lem, mà cha mẹ chẳng hay biết. Ông bà cứ tưởng là cậu về chung với đoàn lũ hành, nên sau một ngày đường, mới đi tìm kiếm giữa đám bà con và người quen thuộc. Không thấy con đâu, hai ông bà trở lại Giê-ru-sa-lem mà tìm.

Sau ba ngày, hai ông bà mới tìm thấy con trong Đền Thờ, đang ngồi giữa các thầy dạy, vừa nghe họ, vừa đặt câu hỏi. Ai nghe cậu nói cũng ngạc nhiên về trí thông minh và những lời đối đáp của cậu. Khi thấy con, hai ông bà sửng sốt, và mẹ Người nói với Người: “Con ơi, sao con lại xử với cha mẹ như vậy? Con thấy không, cha con và mẹ đây đã phải cực lòng tìm con!” Người đáp: “Sao cha mẹ lại tìm con? Cha mẹ không biết là con có bốn phận ở nhà của Cha con sao?” Nhưng ông bà không hiểu lời Người vừa nói.

Every year Jesus' parents went to Jerusalem for the Festival of the Passover. When he was twelve years old, they went up to the festival, according to the custom. After the festival was over, while his parents were returning home, the boy Jesus stayed behind in Jerusalem, but they were unaware of it. Thinking he was in their company, they traveled on for a day. Then they began looking for him among their relatives and friends. When they did not find him, they went back to Jerusalem to look for him. After three days they found him in the temple courts, sitting among the teachers, listening to them and asking them questions. Everyone who heard him was amazed at his understanding and his answers. When his parents saw him, they were astonished. His mother said to him, "Son, why have you treated us like this? Your father and I have been anxiously searching for you." "Why were you searching for me?" he asked. "Didn't you know I had to be in my Father's house?" But they did not understand what he was saying to them. Then he went down to Nazareth with them and was obedient to them. But his mother treasured all these things in her heart.

Fact Finding

Jesus, He wanted to be in the Temple. “I must be in my Father’s house.” Why, because the temple is, as he referred, his “Father’s house”. Jesus is truly God’s son, so he wants to be in His sanctuary.

As God’s son, Jesus was called to discipleship. Even though Jesus was only a boy, 12 years old, he realized, acknowledged, and accepted his call to discipleship. It was then he found himself “sitting in the midst of the teachers”.

Disciple, by definition, is a convinced follower of a school or individual. In the case of Jesus, His disciples were those who followed Him while He was on earth, as well as those who continue to follow him and His teachings today. Discipleship is the belief in God. Discipleship is more than being a believer - it's about being a follower!

Christian discipleship begins when you make an active choice to get to know Jesus better. By God's grace, it is then accomplished in several ways:

- You can study His Word daily and spend time alone with Him in prayer.
- You can seek out the companionship of other Catholics who are growing with Christ.
- You can participate in ministry and meet the needs of other believers.
- You can share what you're learning about Christ with others, just like Andrew, James, John, Luke, Matthew, Peter, Paul and all the original disciples did.



Before Jesus ascended into heaven, he appeared to his 11 disciples at the time and delivered his calling for disciples known as the Great Commission.

"All authority in heaven and on earth has been given to me. Therefore go and make disciples of all nations, baptizing them in the name of the Father and of the Son and of the Holy Spirit, and teaching them to obey everything I have commanded you. And surely I am with you always, to the very end of the age." (Matthew 28: 18-20)

Like Jesus, like the first twelve disciples, you too can be a believer who becomes a follower and messenger!

Bible Case Study

- When Jesus was twelve years old, Mary and Joseph took him with them to Jerusalem for the Feast of the Passover. On the way home there was such a crowd, they did not know Jesus wasn't with them. When they went back they found him in the Temple talking to the teachers and the doctors of the law. He told them, "Did you not know that I must be about my Father's business?" He went back to Nazareth and was obedient to them. Jesus grew in wisdom, stature, and in favor with God and men.
- When Jesus was a child, he honored Mary and Joseph and respected the authority they had over him. Think about it. The Son of God, Creator of the universe showing children how they should behave!
- How can you honor your parents? You can obey them, co-operate with them, and always be truthful. By doing these things you earn their trust and the family enjoys peace and harmony.
- This is the call to be good children to your parents. This is God's teaching (fourth commandment). As Vietnamese traditions as well as tradition of many cultures, children should honor their parents. That is one of the major duty that you must practice to live since youth.
- Why do we honor and obey our parents?

- As God loves human kind, our parents love us since they give birth to us. As children, we are called to respond to that love by our good behaviors toward them, one of which is obeying them. By doing whatever pleasing our parents we honor our parents.

Life Application

Cha Mẹ/Thầy Cô/Huynh Trưởng nói em: <i>Parents/Teachers/Youth-Leaders tell you:</i>	Kết quả nếu không vâng lời: <i>Disobedience's Result:</i>	Kết quả nếu vâng lời: <i>Obedience's Result:</i>
Làm bài <i>Do homework</i>	1. 2. 3.	1. 2. 3.
Thật thà, không nói dối <i>Be honest, don't lie</i>	1. 2. 3.	1. 2. 3.
Tập thể dục, ăn trái cây và rau củ <i>Exercise, eat fruits & vegetables</i>	1. 2. 3.	1. 2. 3.
Cầu nguyện mỗi ngày <i>Pray everyday</i>	1. 2. 3.	1. 2. 3.



Summary

Each one of us is a disciple of Jesus. We need to recognize and acknowledge it. Because we are, we need to take action to fulfill our role and duty as a disciple. Jesus took up his role as a disciple of his Father, he sat in the midst of the teachers, both listening to them and asking them questions.

Prayer

Gracious God, Jesus is calling me to a new beginning; to a fresh call to discipleship. You are asking me to deny myself, take up my cross and follow you. It was at my baptism that you claimed me as your child. Today, I affirm that I have been crucified with Christ, and it is no longer I who live, but Christ who lives in me. I surrender my will, my desires and my life to you, O God. I commit myself to your call to discipleship: to pray, study your Word, worship you, invite

other people to a life of discipleship, encourage Christians in their life of faith, serve those in need, and give joyfully of the gifts that You first gave me. This I pray in Jesus' name. Amen.

Homework

1. How old was Jesus when he first acknowledges his call for discipleship?

2. What is the definition of Disciple?

3. What is the Great Commission?

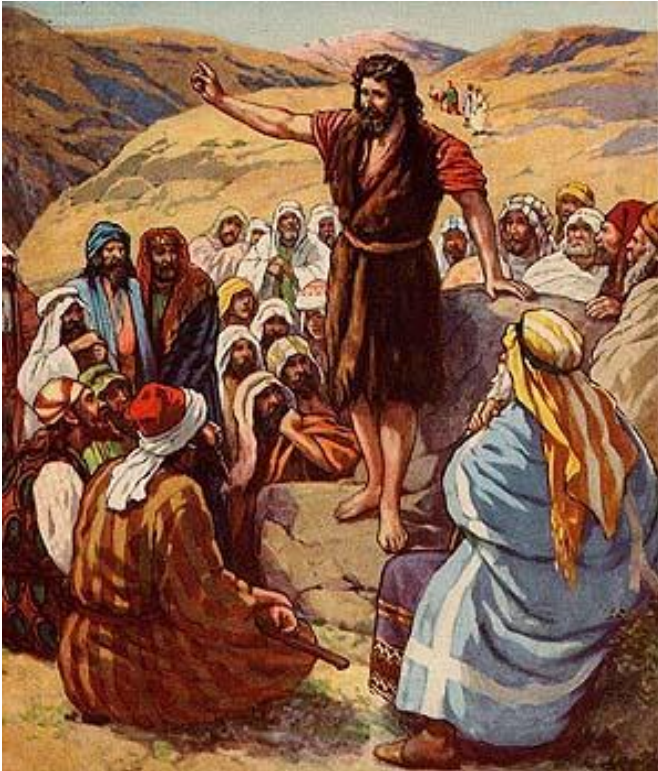
4. Chúa Giêsu vâng lời cha mẹ Ngài như thế nào?

How did Jesus listen to his parents?

Sự Chuẩn Bị Làm Tông Đồ

Preparations of Discipleship

Word of God



Luke 3:3-6

Ông liền đi khắp vùng ven sông Gio-đan, rao giảng, kêu gọi người ta chịu phép rửa tỏ lòng sám hối để được ơn tha tội, như có lời chép trong sách ngôn sứ I-sai-a rằng : Có tiếng người hô trong hoang địa : hãy dọn sẵn con đường cho Đức Chúa, sửa lối cho thẳng để Người đi. Mọi thung lũng, phải lấp cho đầy, mọi núi đồi, phải bạt cho thấp, khúc quanh co, phải uốn cho ngay, đường lối lồi, phải san cho phẳng. Rồi hết mọi người phàm sẽ thấy ơn cứu độ của Thiên Chúa.

He went into all the country around the Jordan, preaching a baptism of repentance for the forgiveness of sins. As it is written in the book of the words of Isaiah the prophet: "A voice of one calling in the wilderness, 'Prepare the way for the Lord, make straight paths for him. Every valley shall be filled in, every mountain and hill made low. The crooked roads shall become straight, the rough ways smooth. And all people will see God's salvation.'"

Fact Finding

"In the U.S., all the major denominations have seen their numbers decline in recent years, but the Catholic Church has taken the biggest hit. Since the 1960s, four American-born Catholics have left the church for every one who has converted, according to a 2009 Pew study. In 2008 alone, Catholic membership declined by 400,000. More than 1,000 parishes have closed since 1995, and the number of priests has fallen from about 49,000 to 40,000 during that same period. Some 3,400 Catholic parishes in the U.S. now lack a resident priest. "Catholicism is in decline across America," says sociologist David Carlin."

As a Catholic living in a world where faith begins to dwindle, how can we find it within ourselves to uphold our faith and help those around us who maybe lacking in faith. How can we be a disciple of God in today's world?

Bible Case Study



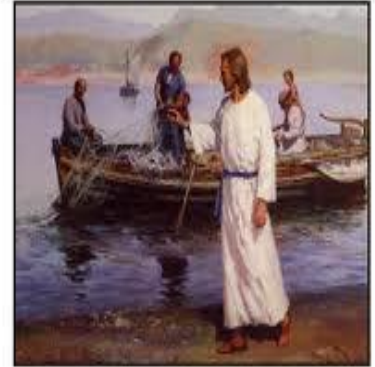
- **Peter & Andrew**

- Peter and Andrew were fishing in the sea when Jesus came upon them and called for them to follow him, to make them “fishers of men”. They left behind their family and livelihood to follow Christ.

- **John & James**

- John and James were with their father working in a boat, when Jesus came and called them to be his disciples; they left behind their father to follow Jesus.

Come Follow Me,



The Savior Said.



- **Mathew**

- Jesus came upon Mathew said, “Follow me”, and Mathew, a tax collector who had a very comfortable life, got up, left all of his material wealth behind to be a disciple of Jesus.

Life Application

Modern-day Disciple of God	Example of how they are a disciple
1.	
2.	
3.	
4.	

Summary

- Discipleship begins with a willing heart, which begins with God
- Preparation for discipleship also involves a willing head, so that our minds can be active in loving and serving God.
- Growth is a condition of discipleship, through learning about the bible, attending mass, and living and spreading the word of God.

Prayer

Dear God, through our lesson today, please help us become better disciples. May our hearts always be willing and open to you so that we can serve you with true love and commitment. Amen

Homework

What will you sacrifice in order to become a better disciple?



Sự Ngăn Trở trong Ôn Gọi

Temptation of Discipleship

Words of God

Matthew 4:1-11

Bảy giờ Đức Giê-su được Thần Khí dẫn vào hoang địa, để chịu quỷ cám dỗ. Người ăn chay ròng rã bốn mươi đêm ngày, và sau đó, Người thấy đói. Bảy giờ tên cám dỗ đến gần Người và nói : "Nếu ông là Con Thiên Chúa, thì truyền cho những hòn đá này hoá bánh đi !" Nhưng Người đáp : "Đã có lời chép rằng : Người ta sống không chỉ nhờ cơm bánh, nhưng còn nhờ mọi lời miệng Thiên Chúa phán ra." Sau đó, quỷ đem Người đến thành thánh, và đặt Người trên nóc đền thờ, rồi nói với Người : "Nếu ông là Con Thiên Chúa, thì gieo mình xuống đi ! Vì đã có lời chép rằng: Thiên Chúa sẽ truyền cho thiên sứ lo cho bạn, và thiên sứ sẽ tay đỡ tay nâng, cho bạn khỏi vấp chân vào đá." Đức Giê-su đáp : "Nhưng cũng đã có lời chép rằng : Người chớ thử thách Đức Chúa là Thiên Chúa của người." Quỷ lại đem Người lên một ngọn núi rất cao, và chỉ cho Người thấy tất cả các nước thế gian, và vinh hoa lợi lộc của các nước ấy, và bảo rằng : "Tôi sẽ cho ông tất cả những thứ đó, nếu ông sấp mình bái lạy tôi." Đức Giê-su liền nói : "Xa-tan kia, xéo đi ! Vì đã có lời chép rằng : Người phải bái lạy Đức Chúa là Thiên Chúa của người, và phải thờ phượng một mình Người mà thôi." Thế rồi quỷ bỏ Người mà đi, và có các sứ thần tiến đến hầu hạ Người.



Then Jesus was led by the Spirit into the desert to be tempted by the devil. He fasted for forty days and forty nights, and afterwards he was hungry. The tempter approached and said to him, "If you are the Son of God, command that these stones become loaves of bread." He said in reply, "It is written: 'One does not live by bread alone, but by every word that comes forth from the mouth of God.'" Then the devil took him to the holy city, and made him stand on the parapet of the temple, and said to him, "If you are the Son of God, throw yourself down. For it is written: 'He will command his angels concerning you and 'with their hands they will support you, lest you dash your foot against a stone.'" Jesus answered him, "Again it is written, 'You shall not put the Lord, your God, to the test.'" Then the devil took him up to a very high mountain, and showed him all the kingdoms of the world in their magnificence, and he said to him, "All these I shall give to you, if you will prostrate yourself and worship me." At this, Jesus said to him, "Get away, Satan! It is written: 'The Lord, your God, shall you worship and him alone shall you serve.'" Then the devil left him and, behold, angels came and ministered to him.

Fact Finding



- Humility is the key to all the other 6 virtues. Similarly, pride is the the worst of all vices.
- Polls show that out of 100 Christian students that go to church regularly in highschool, there are only 15 who still go to church regularly after their college years.
- It is difficult to be Jesus' disciple in our time. It takes sacrifice and perseverance because there are many temptations in the world that lead us the wrong way.

Bible Case Study

- St. Peter was tempted to deny Jesus during his trial and he failed. But he repented and came back (Denying God)
- Judas also betrayed Jesus and sold him for money, but he did not repent and nor did he come back (Denying God)
- All His apostles except St. John abandoned Jesus in His hour of most need. (Denying God)
- St. James and John wanted to call down fire from heaven to destroy a Samaritan Village when they did not welcome them (power) Luke 9:53-54
- The self-righteous Pharisee and the repenting tax collector (Self-righteous)

Life Application



Break the groups into teams. Have each team give examples in real life of the 3 temptations of being a disciple.

1. Power
2. Self-Righteous
3. Denying God.

Summary

In our walk to be Jesus' disciple in our everyday life, it is filled with temptations that keep us from becoming a better version of ourselves and growing in holiness. The 3 most common temptations were experienced by Jesus when he was in the desert for 40 days. These temptations include power, self-righteous, and denying God.



Prayer

Lord Jesus, we love you and we want to follow you wherever you lead us. Please grant us the grace to live each day according to your will. Please teach us to hold on to you as we fight the temptations of being your disciples. The paths you have set for us are not easy, but with your help we can persevere until the end.

Homework

1. Give real life examples of the temptations of being Jesus' disciples at least one from each category: power, self-righteous, and denying God.

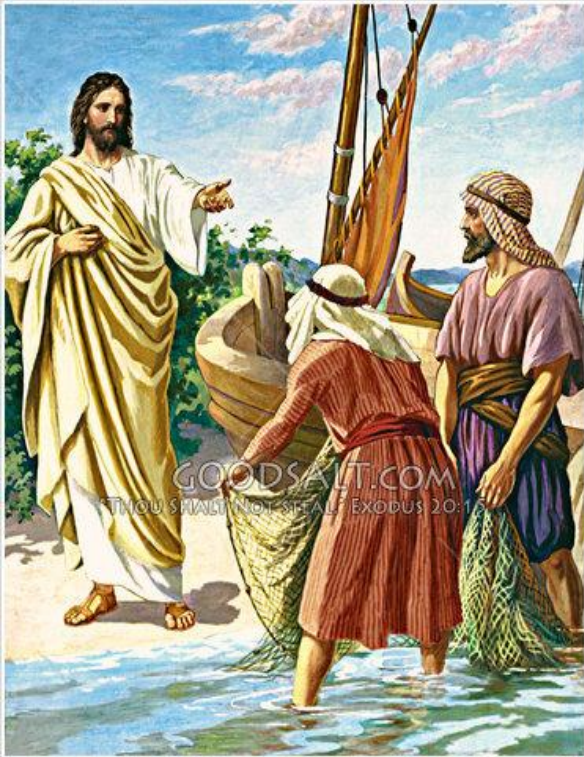
2. What are some practical ways to fight these temptations?



Lời Mời Gọi của Chúa

The Call of the First Disciples

Words of God



1. The Call of the First Disciples – Matthew 4: 18-20

Người đang đi dọc theo biển hồ Ga-li-lê, thì thấy hai anh em kia, là ông Si-môn, cũng gọi là Phê-rô, và người anh là ông An-rê, đang quăng chài xuống biển, vì các ông làm nghề đánh cá. Người bảo các ông : "Các anh hãy theo tôi, tôi sẽ làm cho các anh thành những kẻ lưới người như lưới cá." Lập tức hai ông bỏ chài lưới mà đi theo Người.

As he was walking by the Sea of Galilee, he saw two brothers, Simon who is called Peter, and his brother Andrew, casing a net into the sea; they were fishermen. He said to them, "Come after me, and I will make you fishers of men."

2. The Call of Simon the Fisherman – Luke 5: 10-11

Cả hai người con ông Dê-bê-đê, là Gia-cô-bê và Gio-an, bạn chài với ông Si-môn, cũng kinh ngạc như vậy. Bấy giờ Đức Giê-su bảo ông Si-môn : "Đừng sợ, từ nay anh sẽ là người thu phục người ta." Thế là họ đưa thuyền vào bờ, rồi bỏ hết mọi sự mà theo Người.

Jesus said to Simon, "Do not be afraid; from now on you will be catching men." When they brought their boats to the shore, they left everything and followed him.

Fact Finding

The Calling

Simon and Andrew did not see themselves as special by any means but Jesus chose them and called them to do his works. When God has a special job to do, He calls someone that he has a relationship with. He knows each one of His children intimately. He knows our strong points, our weak points, what we are capable of. God knows better than we do and what we can accomplish. Never forget, God calls us for a specific purpose at different times in our lives based on His plan. He will never ask you to do something that He hasn't equipped you to perform.

The Answer

Simon and Andrew accepted the calling of Jesus to be fishers of men. Will you be listening when God calls you to come serve him and his people? Answering the call of God is not easy, but God will make you adequate to stand the attacks and follow through.



The Faith

Once God calls, we must respond by faith. Faith is not a blind leap in the dark, but a trust in God. When God called Simon and Andrews, they left obediently, not even knowing where they were going.

Life Application

People often say, "I'm not quite ready to follow Jesus." Yet Jesus never asked us to pull ourselves together, and then follow Him. Like the uneducated fishermen Simon and Andrew, Jesus called them to follow Him THEN he would make them fishers of men. Jesus did not choose them for their intellect, for fishermen of that day were simple people. He also did not choose them for their skill, for Jesus was about to redefine what fishing meant to these experienced fishermen.

What excuses do we make in not following Jesus? It is neither our skill nor lack of it that counts, but simply obeying when we hear the call.

There are many different types of calling that people are a part of.

1. Long-term callings: religious life, calling to be a Huynh Truong , marriage, occupation
2. Short-term callings: daily activity that calls you to serve Jesus (help mother cook or clean the house, helping a friend with their homework, playing with a friend who does not have friends, forgiving a friend, ect)

Summary

We are all called to do different things in our lives. Some are called to be priest and nuns; others can have the simple calling of being a Huynh Truong. Everyone has a calling but do you have the strength to answer the calling and you will have to be able to make sacrifices to follow the calling. All of these are part of an individuals calling.

Prayer



I love you, Jesus. I know you care about me deeply. Inspire us to develop that close and intimate relationship with God so that we will be available for His use. We pray that we will develop faith to answer His call when it comes. We pray that as we answer that call by faith, nothing will stop us from performing the job that He has given us to perform. Our purpose in this life is to serve and glorify Him. Help us to not focus on our desires, our goals, and our will but instead focus on His desires, His goals, and His will. Help us to ANSWER THE CALL!!

Homework

1. Who were the first two apostles?

2. What did Jesus call them to do?

3. When we respond to God's calling, we must have what in God?

4. Does one have to be perfect to serve God?

5. What are the two forms of calling and give an example of each

6. Name one way you had answered God's call or serve God and your neighbors this week?

7. Name a future calling that you are interested in (religious life, calling to be Huynh Trưởng, occupation).



Điều Kiện Làm Tông Đồ cho Chúa

The Conditions of Discipleship

Words of God



Mt 16:24-28

Rồi Đức Giê-su nói với các môn đệ: "Ai muốn theo Thầy, phải từ bỏ chính mình, vác thập giá mình mà theo. Quả vậy, ai muốn cứu mạng sống mình, thì sẽ mất; còn ai liều mất mạng sống mình vì Thầy, thì sẽ tìm được mạng sống ấy. Vì nếu người ta được cả thế giới mà phải thiệt mất mạng sống, thì nào có lợi gì? Hoặc người ta sẽ lấy gì mà đổi mạng sống mình?"

"Vi Con Người sẽ ngự đến trong vinh quang của Cha Người, cùng với các thiên thần của Người, và bấy giờ, Người sẽ thưởng phạt ai nấy xứng việc họ làm. Thầy bảo thật anh em: trong số người có mặt ở đây, có những kẻ sẽ không phải nếm sự chết trước khi thấy Con Người đến hiển trị."

Then said Jesus unto his disciples, If any man would come after me, let him deny himself, and take up his cross, and follow me. For whosoever would save his life shall lose it: and whosoever shall lose his life for my sake shall find it. For what shall a man be profited, if he shall gain the whole world, and forfeit his life? or what shall a man give in exchange for his life? For the Son of man shall come in the glory of his Father with his angels; and then shall he render unto every man according to his deeds. Verily I say unto you, there are some of them that stand here, who shall in no wise taste of death, till they see the Son of man coming in his kingdom.

Fact Finding

- 1. Self-denial:** The conditions for discipleship presented in this section of the Gospel are not necessarily the precise conditions laid out for the historical disciples of Jesus but for the members of Matthew's community. First, an authentic follower of Jesus is willing to deny self. For Matthew, to deny means that one is willing to disown self (cf 10:33; 26:34-35). One's self cannot be the center of one's existence. Only Jesus can be the center of one's existence.

The denial of self reaches its high point on the cross, where Jesus denies himself as the Son of God, and suffers and dies a less than human death. Therefore, the authentic disciple (Christian) is one who is willing to take up the cross—the one who is willing to give up his or her life, like Jesus did.

- 2. Willingness to bear a cross:** The second condition of discipleship, then, is a willingness to stand firm in faith to death. In this way, one follows Jesus. Such self-denial and cross-carrying and following Jesus might look like death at first. However, one who wishes to save one's life will lose it, while one who loses his life for Jesus' sake will find it. God's



ways are the total reversal of human ways. If one denies Jesus, disowns faith in him when faced with persecution, in order to preserve earthly life, such a person will forfeit eternal life in the kingdom of heaven. If, on the other hand, one stands firm in faith when faced with persecution (as did Jesus) and ends up giving up one's life, then this person will share in the everlasting life of the kingdom of heaven.

Case Study



Mother Teresa came across a half-dead woman lying in front of a Calcutta hospital one day. She stayed with the woman until she died. From that point on, Mother Teresa dedicated majority of her life to helping the poorest of the poor. Mother Teresa would see Jesus in everyone that she met. It didn't matter whether they were dying of AIDS or Leprosy. She wanted them to be able to die in peace and with dignity. For over 50 years, she worked selflessly helping the poor. That devotion towards the poor won her respect throughout the world.

Lillian has a job now, and a bright future awaits her. There is Sister Debra who knows Lillian and feels that Lillian can become a nun someday. Sister Debra talk to Lillian, arranges many times for Lillian to come and see the life in convent. Lillian has a great job, a good family and she can go to a high level of her career. She is not sure if she is ready to give up everything and go to become a nun. Since Sister Debra keeps bothering her. Lillian decides to give it a try.

Lillian goes to "come and see" retreat week, and she doesn't like the life in there. Then she goes to another one, and it doesn't work either. Lillian decides to tell Sister Debra that becoming a nun is not on her path of life. Sister Debra is not giving up on Lillian. Sister Debra tries very hard to push Lillian to give God a chance. One day, Lillian realizes that she is ready to give up everything and gives God a chance. Lillian begins to put everything behind and goes to Chicago to study and become a nun.

Life Application

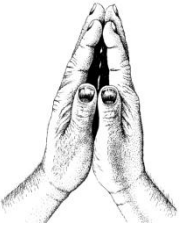


1. In Mathew 16: 24 – 28, Jesus says that unless a man gives up everything for Christ, "He cannot be my disciple." What would you do if one day God calls you to become a priest or a nun?
2. What would you do if someone comes up to you and tells you that you are not qualify to be God's disciple?
3. Some people believe that if a man can't give up everything for God, he can't be God's disciple. Do agree with this belief?

Summary

In order to be a disciple of Christ, we must give everything up for Christ. Disciple is simply someone who has accepted Christ. A disciple is someone who would carry the cross of suffering, the cross of persecution, and the cross of obedience. Take the cross and follow me. In other words, Jesus asks His disciples to not worry, put everything behind and following him. He will take care of everything.

Prayer



Dear Lord, make me stronger to accept your call, give me the willing to bear cross and follow you. Please give me strength to carry the cross with you. Jesus, help me to open my heart and give me a chance to become your disciples. Amen.

Homework

1. What are the two conditions to become God's disciple?

2. What is self-denial?

3. List our the different ways you can bear the cross for Christ in your daily life.

Thánh Lễ là Gì? Những Ôn Ích của Thánh Lễ

The Mass, What Is It? Graces of Mass

Reading the Bible

1 Cor 11:23-27

Thật vậy, điều tôi đã lãnh nhận từ nơi Chúa, tôi xin truyền lại cho anh em : trong đêm bị nộp, Chúa Giê-su cầm lấy bánh, dâng lời chúc tụng tạ ơn, rồi bẻ ra và nói : "Anh em cầm lấy mà ăn, đây là Mình Thầy, hiến tế vì anh em ; anh em hãy làm như Thầy vừa làm để tưởng nhớ đến Thầy." Cũng thế, cuối bữa ăn, Người nâng chén và nói : "Đây là chén Máu Thầy, Máu đổ ra để lập Giao Ước Mới ; mỗi khi uống, anh em hãy làm như Thầy vừa làm để tưởng nhớ đến Thầy." Thật vậy, cho tới ngày Chúa đến, mỗi lần ăn Bánh và uống Chén này, là anh em loan truyền Chúa đã chịu chết. Vì thế, bất cứ ai ăn Bánh hay uống Chén của Chúa cách bất xứng, thì cũng phạm đến Mình và Máu Chúa.



²³For I have received of the Lord that which also I delivered unto you, that the Lord Jesus the same night in which he was betrayed took bread:

²⁴And when he had given thanks, he brake it, and said, Take, eat: this is my body, which is broken for you: this do in remembrance of me.

²⁵After the same manner also he took the cup, when he had supped, saying, this cup is the new testament in my blood: this do ye, as oft as ye drink it, in remembrance of me.

²⁶For as often as ye eat this bread, and drink this cup, ye do shew the Lord's death till he come.

²⁷Wherefore whosoever shall eat this bread, and drink this cup of the Lord, unworthily, shall be guilty of the body and blood of the Lord.

Studying Our Faith

Mass has always been the central form of Catholic Worship. In the Catholic Church, mass is the Eucharistic celebration. The Eucharistic celebration not only unifies the community, but it's also a way where people can actively participate. The purpose of mass is to have a personal and intimate relationship with God. During mass, we could receive God in two

ways: his words, and the Eucharist.

Therefore, the two most important parts in mass are the Liturgy of the Word and Liturgy of the Eucharist. In easier terms, the Liturgy of the Word is the two readings and the gospel reading. Please note that only a priest or deacon could read the gospel. Furthermore, the Liturgy of the Eucharist is when the bread and wine become the blood and body of Christ.

So how was mass even started? Mass started with the first disciples of Jesus. After Jesus died, the disciples needed a way to remember him. Therefore, they gathered in the house and he appeared to them. When Jesus appeared to them, he said, "Peace be with you." Now when you go to mass, the first and the last thing the priest says is also a blessing. Therefore, when we go to mass we actually receive the peace of our Lord, Jesus Christ, through the priest.

Also, at mass we are being taught the word of God directly and that is why the Liturgy of the Word is so important. Through the two reading and the gospel reading, we are given guidance about the word of God through the priest's homily.

The only way to receive Jesus is by going to mass. The Eucharist is the real presence of God, Jesus Christ, and this is where we receive salvation. By receiving the Eucharist, not only do we receive God in body, but in our soul as well. During the Last Supper, Jesus said to his disciple, "this is my body which will be given for you. Do this in memory of me." By receiving God, we are in unity with him and maintaining a beautiful relationship with him.

Summary



Khi chúng ta đến tham dự Thánh Lễ, chúng ta có thể lãnh nhận Thiên Chúa qua lời của Ngài và Thánh Thể. Thánh Lễ là hình thức tôn thờ của người Công giáo, là nơi mà chúng ta có thể kết hiệp mật thiết với Thiên Chúa. Chúng ta nhận biết Thiên Chúa là ai, những gì Ngài đã làm, và những gì Ngài đã dạy thông qua phần Phụng Vụ Lời Chúa. Quan trọng nhất, chúng ta có thể đón nhận Thiên Chúa vào trong thân xác và tâm hồn của chúng ta qua phần phụng vụ Thánh Thể. Ngoài ra, chúng ta chỉ có thể lãnh nhận phép lành từ Thiên Chúa khi tham dự Thánh Lễ. Vì vậy, chúng ta cần trân trọng những gì Thiên Chúa đã ban cho chúng ta bởi vì đón nhận Thiên Chúa qua Bí Tích Thánh Thể thực sự là cao quý.

When we go to Church, we receive God through his word and the Eucharist. Mass is form of Catholic worship, where we get to connect intimately with God. We get to know who God is, what he did, and what he taught through the Liturgy of the Word. Most importantly, we get to receive God in our body and soul through the Liturgy of the Eucharist. In addition, we can only receive God's blessing when attending mass. Therefore, we need to cherish what God have given us because his word and the fact that we can receive God through the Eucharis - is truly remarkable.

Living Our Faith

- When Jesus said, "This is my body that is given up for you. Do this in remembrance of me", he is referring to mass. (1 Cor 11:23-29)
- In the gospel of Matthew, while Jesus and his disciples were eating, Jesus took the bread, said a blessing, broke the bread, then gave it to his disciples and said. "Drink from it, all of you, for this is my blood of the covenant,

which will be shed on behalf of many for the forgiveness of sins.” As you can see, the only way we can receive the Eucharist is through a priest, when he performs mass. (Mt 26:26-28)

- Furthermore, Jesus said to his disciples, “Amen, amen, I say to you, unless you eat the flesh of the Son of Man and drink his blood, you do not have life within you. Whoever eats my flesh and drinks my blood has eternal life, and I will raise him on the last day.” Here, he is saying that whoever does not attend Mass and receive the Eucharist will not have everlasting life. Therefore, attending “Mass” is very important. (Jn 6:53-56)

Prayer

Loving Father, may I receive the bread of angels, the King of kings, and Lord of lords, with humble reverence, with the purity and faith, the repentance and love, and the determined purpose that will help to bring me to salvation.

~Saint Thomas Aquinas

Practicing Our Faith

Self-checklist:

When I go to Mass, do I?	Yes/ No	If yes, what are the Benefits/ End Results
Listen to the three readings		
Participate		
Listen to the priest		
Have the desire to go/ urged to go without being forced		
Prepared		
Receive Communion whole-heartedly		

Homework

1. What are the graces of Mass?

2. What is one thing you could do in Mass to help you become more engaged in Mass?

3. Why do you attend Mass?

4. What are the two most important parts of Mass?



Tâm Tình và Nhiệm Vụ của Giáo Dân

Heart-feelings & Responsibilities of Parishioners

Reading the Bible



Mark 6: 33-43

Thấy các ngài ra đi, nhiều người hiểu ý, nên từ khắp các thành, họ cùng nhau theo đường bộ chạy đến nơi, trước cả các ngài. Ra khỏi thuyền, Đức Giê-su thấy một đám người rất đông thì chạnh lòng thương, vì họ như bầy chiên không người chăn dắt. Và Người bắt đầu dạy dỗ họ nhiều điều. Vì bây giờ đã khá muộn, các môn đệ đến gần Người và thưa : "Ở đây hoang vắng và bây giờ đã khá muộn. Xin Thầy cho dân chúng về, để họ vào thôn xóm và làng mạc chung quanh mà mua gì ăn." Người đáp : "Thì chính anh em hãy cho họ ăn đi !" Các ông nói với Người : "Chúng con phải đi mua tới hai trăm quan tiền bánh mà cho họ ăn sao ?"

Người bảo các ông : "Anh em có mấy chiếc bánh? Đi coi xem!" Khi biết rồi, các ông thưa : "Có năm chiếc bánh và hai con cá." Người ra lệnh cho các ông bảo mọi người ngồi thành từng nhóm trên cỏ xanh. Họ ngồi xuống thành từng đám, chỗ thì một trăm, chỗ thì năm mươi. Người cầm lấy năm chiếc bánh và hai con cá, ngước mắt lên trời, dâng lời chúc tụng, rồi bẻ bánh ra, trao cho môn đệ để các ông dọn ra cho dân chúng. Người cũng chia hai con cá cho mọi người. Ai nấy đều ăn và được no nê. Người ta thu lại những mẩu bánh được mười hai thúng đầy, cùng với cá còn dư.

But many who saw them leaving recognized them and ran on foot from all the towns and got there ahead of them. When Jesus landed and saw a large crowd, he had compassion on them, because they were like sheep without a shepherd. So he began teaching them many things. By this time it was late in the day, so his disciples came to him. "This is a remote place," they said, "and it's already very late. Send the people away so that they can go to the surrounding countryside and villages and buy themselves something to eat." But he answered, "You give them something to eat." They said to him, "That would take more than half a year's wages! Are we to go and spend that much on bread and give it to them to eat?" "How many loaves do you have?" he asked. "Go and see." When they found out, they said, "Five—and two fish. Then Jesus directed them to have all the people sit down in groups on the green grass. So they sat down in groups of hundreds and fifties. Taking the five loaves and the two fish and looking up to heaven, he gave thanks and broke the loaves. Then he gave them to his disciples to distribute to the people. He also divided the two fish among them all. They all ate and were satisfied, and the disciples picked up twelve basketfuls of broken pieces of bread and fish.

Studying Our Faith

- Parishioners belong to the community of the Church.
- Each parishioner has an equally important responsibility within the Church community
- Attending mass is a fundamental part of a parishioner in the church
- Mass should be attended regularly and with attention to all segments

- Parishioners come to mass with an open heart to help themselves as well as the church community

Summary

Mass is where parishioners share in the love of Jesus Christ, and where they exercise their responsibilities as members of their Church community.

Living Our Faith



The crowd gathered to hear Jesus preach. They desired to be with him, and as a result, he performed a wondrous miracle in feeding them. Today, this same miracle occurs at every celebration of Mass. Just like the crowd in Jesus' time, parishioners are called to come and receive Jesus' teachings through the liturgy of the Word, and to eat his body and drink his blood in the Eucharist. Just as Jesus fed all those who came to him, so now too he feeds all those who attend Mass. At each Mass is the miracle of the feeding reoccurring.

Prayer

Lord Jesus, please guide and protect your parishioners. Help them to come to you in unity. Open their hearts so that you may enter and transform them, feeding their body and soul. Grant your parishioners the desire to follow you as the crowds had, and instill in them the trust that they shall not hunger or thirst if they believe in you and follow

you.

Practicing Our Faith

When you go to church/attend Mass:

- Show respect/reverence by bowing or kneeling towards the Cross and/or Eucharist (Tabernacle) when you enter
- Show your gratefulness by offering something up such as Bó Hoa Thiêng or tithes (donating money)
- Stay from start to finish
- Pay attention!
- Don't talk!
- Attend mass as though Jesus is right in front of you as a caring friend and come with a loving heart? :)

Homework

1. How many readings are there?

2. What is the collection?

3. What do we do when we give each other the sign of peace?

Tham Dự Thánh Lễ Cách Hiệu Quả

Participate in Mass Effectively

Reading the Bible



Luke 22:19-20

Rồi Người cầm lấy bánh, dâng lời tạ ơn, bẻ ra, trao cho các ông và nói : "Đây là mình Thầy, hiến tế vì anh em. Anh em hãy làm việc này, mà tưởng nhớ đến Thầy." Và tới tuần rượu cuối bữa ăn, Người cũng làm như vậy và nói : "Chén này là giao ước mới, lập bằng máu Thầy, máu đổ ra vì anh em.

Then he took the bread, said the blessing, broke it, and gave it to them, saying, "This is my body, which will be given for you; do this in memory of me." And likewise the cup after they had eaten, saying, "This cup is the new covenant in my blood, which will be shed for you.

Studying Our Faith

How to participate the Mass effectively

- Pay Attention
 - The Mass is a beautiful mystery that takes a lot of thought to understand.
 - Listen and follow along with the readings. Meditate on the readings. (Think how you can put yourself in the reading, who am I in the reading?)
 - Believe God is really present in the alter in the form of the bread (This will help prevent you from talking to your neighbors and focus in mass)
- Learn the Prayers
 - Praying helps us get into the mindset of worshipping God. Each prayer has its meaning
- Understand what the Priest is doing
 - So we can actively participate with him in the wonders of mass!
- Come to mass on time no matter what!
 - How can we understand mass if we are always late?



- Arrive to church 10 minutes before mass start. Pray to Mary and ask her to help you participate in this mass fully and completely
- To avoid causing distraction to others.

We should not only hear Mass, but we should offer it with the priest. Moreover, we should have the intention of hearing and offering all the Masses being said at the same time all over the World. In this way we receive a share in the Masses all over the world!

PRAYERS AT MASS

- Sign of the Cross
 - Reminds us that we are about to be part of a celebration.
- Confiteor (penitential prayer - confession)
 - Reminds us that we are human.
- Gloria
 - Reminds us of how great God is.
- Nicene Creed (profession of faith)
 - Reminds us of our promises to God.
- The Consecration
 - The sacrificing of Jesus on the altar. Every time we go to mass, God is dying for us once more. It is not a symbol of God's death but an actual sacrificial offering.
- Our Father (The Lord's Prayer)
 - Reminds us that God is always with us.
- St. Michael the Archangel (Optional After Mass)
 - Reminds us that although we have left the house of the Lord He has sent a Powerful Angel to always be at our side.

Summary

- Come on Time
- Look your best! Inside and Outside
 - Wear your TNTT uniform
 - Keep your Soul Clean
- Remember that you are here to see God so pray hard and pay attention to him.
- Listen to the readings and reflect
- You are not going to *watch* mass but to participate and offer up the mass with the priest. Therefore, it is important to pay attention, understand the prayers and parts of the mass and listen and understand the readings

Living Our Faith

Check the box after you have completed the task

- Talk to your parents about the readings and gospel this week at mass
- Attend next week's mass on time
- Apply the readings and gospel to your life

Prayer



Lord,

Please help me keep my soul clean. Please help me remember that I am visiting your house, and that I should try my best to come on time and pay attention to you when I visit. Lord, I also want to thank you for giving me your body and blood every week to feed my soul and help me become stronger for you.

Practicing Our Faith

- Invite your friends to come to mass on time
- Read the readings and Gospel during mass
- Receive the Eucharist with a clean heart and soul.

Homework

Words Search

Complete this Bible word search "What is Worship?" All the words listed below are in the puzzle - left, right, up, down or diagonally.

Word Bank:

Adore	Bible
Bow	Bread
Cup	Prayer
Preacher	Sermon
Singing	Spirit
Supper	Thank
Truth	



Vai Trò của Linh Mục trong Thánh Lễ

Roles of the Priest in Mass

Reading the Bible



John 20: 19-23

“Chúc anh em được bình an! Như Chúa Cha đã sai thầy, thì Thầy cũng sai anh em.”

“Peace be with you; as the Father has sent Me, I also send you.”

Studying Our Faith

Trong buổi tiệc ly, Chúa Giêsu cầm lấy bánh, dâng lời tạ ơn, bẻ ra, trao cho các ông và nói, "Đây là mình Thầy, hiến tế vì anh em." Sau đó Chúa Giêsu cũng làm như thế với chén rượu. Theo chúng ta thấy, trong buổi tiệc ly, Chúa Giêsu đã lập lên bí tích Thánh Thể. Tuy nhiên, loài người không có phép lạ và biến đổi bánh và rượu chớ nên mình và máu được. Cho nên trong lúc đó, bí tích Truyền Chức Thánh cũng được thành lập lên.

Trong buổi Thánh Lễ, một người linh mục là người đại diện cho Chúa Giêsu. Người Linh Mục là người có khả năng đặc biệt mà người thường không có, việc đó chính là Truyền Phép Thánh Thể. Thánh hiến là một quá trình biến hóa bánh và rượu thành thịt và máu Chúa Giêsu. Thánh Thể không được hoàn thành nếu không có người đại diện Thiên chúa, cho nên vai trò của người Linh Mục rất là quan trọng. Và hơn nhất, các người mà theo bước Chúa Giêsu không thể trở nên một với ngài.

Chúa Giêsu đã hy sinh mình và máu trong sự tình yêu để cứu rỗi chúng ta. Nếu như mà chúng ta không nhận được Thánh Thể thì chúng ta sẽ không được sự cứu rỗi ấy. Theo chúng ta cùng thấy, một trong vai trò chủ yếu của một người Linh Mục chính là Dâng Hiến Mình Thánh Chúa. Vì chúa Thánh Thần sẽ làm việc qua vị Linh Mục đó. Nếu chúng ta cố gắng để ý, trong Thánh Lễ, chỉ có Linh Mục mới chấp nhận của lễ (bình thường là bánh và rượu) vì các ngài là người đại diện của Chúa Giêsu trong giờ thánh lễ. Một vai trò khác của một Linh Mục là cung cấp cho bài giảng của Tin Mừng, nhưng họ có thể phân bổ trách nhiệm này cho người khác,



dưới điều kiện là họ phải có mặt tại đó. Vì họ cần hướng dẫn giáo dân theo đời sống và lời dạy của Chúa Giêsu, và giúp họ được hưởng ơn cứu độ.

Thêm nữa, là họ là những người duy nhất được ban phước lành cho giáo dân trong danh Chúa Giêsu Kitô. Tóm lại, một Linh Mục là người rất quan trọng trong Thánh Lễ vì họ là người nối kết Thiên Chúa với loài người.

During the last supper, Jesus gave thanks, broke the bread, and gave the bread to his disciples and said, "Take this, all of you, and eat it. This is my Body which will be given up for you." Later on, Jesus does the same with the wine. As you can see, during the last supper, Jesus established the sacrament of the Eucharist. However, human beings do not have the unnatural powers to change bread and wine into flesh and blood. Therefore, at that moment, another sacrament was form, which is the sacrament of Holy Order.

During mass, a priest acts "in the person of Christ." The priest has special ability that no other humans have, which is to consecrate the Eucharist. Consecrate is the process in which bread and wine is changed into flesh and blood. Therefore, a priest's role in mass is important because mass cannot be continued without a priest. Most importantly, people who follow Jesus cannot receive the Eucharist.

Jesus gave up himself, flesh and blood out of love so that we may have salvation. If we cannot receive the holy Eucharist, we cannot have salvation. As you can see, a priest role in mass is very crucial. During mass, a priest is a direct representation of Christ. The Holy Spirit is working through the priest. If you pay attention in mass, only a priest could accept the offering, which is often bread and wine, because only a priest can represent Christ during the hour of Mass. Another main role of a priest is to give homily. However, they may allocate this responsibility during mass. However, they need to be present there. During their homily, they need to lead the community toward salvation by showing the community Jesus' life, what he did, and what he taught.

In addition, they are the only people who can bless the community in the name of Jesus Christ. In short, the role of a priest is very important during mass because he is the middleman who connects humans to God.

Summary

Trong thánh lễ, linh mục là một trong những người đại diện cho Chúa Kitô và cũng là người có khả năng để làm công việc của Thiên Chúa. Họ là người lãnh đạo của cộng đồng. Hai vai trò quan trọng nhất của một linh mục trong thánh lễ là cung cấp cho các bài giảng và thánh hiến Thánh Thể. Vai trò khác là nhận của lễ và ban phước lành. Nếu không có linh mục, Thánh Lễ không thể được tiếp tục. Kết quả là chúng ta sẽ không thể nhận Thánh Thể và sự cứu rỗi.

During mass, a priest is the one who truly represents Christ and also who has the ability to do God's work. He is in charge of leading the community. The two most important roles of a priest during mass are to give homilies and consecrate the Eucharist. Other roles are accepting the offering and give blessing. These are things that non-priest can do. Without a priest, the mass cannot be continued. As a result, we would not be able to receive the Eucharist and receive salvation.

Living Our Faith



1. When Jesus resurrected and appeared in front of his disciple, he said, "Peace be with you; as the Father has sent Me, I also send you." John 20: 19-23.
2. Later on, Jesus breathed on them and said, "Receive the Holy Spirit. If you forgive the sins of any, their sins have been forgiven them; if you retain the sins of any, they have been retained." John 20: 19-23.
3. And Jesus came and said to them, "All authority in heaven and on earth has been given to me. Go therefore and make disciples of all nations, baptizing them in the name of the Father and of the Son and of the Holy Spirit, teaching them to observe all that I have commanded you. And behold, I am with you always, to the end of the age." Matthew 28: 18-20.
4. "Blessed are you, Simon, son of Jonah. For flesh and blood has not revealed this to you, but my heavenly father. And so I say to you, you are Peter, and upon this rock I will build my church and the gates of the netherworld shall

not prevail against it. I will give you the keys to the kingdom of heaven; and whatever you bind on earth shall be bound in heaven; and whatever you loose on earth shall be loosed in heaven." --Matthew 16:17-19

Prayer



Lạy Chúa Giêsu, Linh Mục đời đời, xin gìn giữ các linh mục Chúa trong mái ấm Thánh Tâm Chúa, nơi không gì có thể hại được các ngài. Xin gìn giữ cho khỏi dơ bẩn bàn tay đã được xúc dầu của các ngài hàng ngày vẫn động đến Minh Thánh Chúa. Xin gìn giữ cho khỏi như uế đôi môi của các ngài vẫn thường thấm nhuộm Máu Thánh Chúa. Xin gìn giữ cho được trong trắng và siêu thoát tâm hồn của các ngài đã được đóng ấn cao trọng của chức linh mục vinh quang Chúa. Xin bao phủ các ngài bằng tình yêu linh thánh của Chúa và che chở các ngài khỏi mọi vương vẩn thế gian. Xin chúc phúc cho những lao nhọc của các ngài được đầy hoa trái. Ước chi những linh hồn đã được các ngài coi sóc trở nên niềm vui và nguồn an ủi cho các ngài nơi trần gian và trở nên những triều thiên xinh đẹp và vĩnh cửu của các ngài trên Thiên Đàng. Amen.

Lạy Mẹ Maria, Nữ Vương Các Linh Mục, xin cầu cho chúng con. Xin cho chúng con được thêm nhiều linh mục thánh thiện. Amen.

Lord Jesus, we your people pray to you for our priests. You have given them to us for our needs. We pray for them in their needs. We know that you have made them priests in the likeness of your own priesthood. You have consecrated them, set them aside, anointed them, filled them with the Holy Spirit, appointed them to teach, to preach, to minister, to console, to forgive, and to feed us with Your Body and Blood. We pray to You, O Lord, through Mary the mother of all priests, for your priests and for ours. Amen.

John Cardinal O'Connor

Practicing Our Faith

<u>ACTION</u>	<u>WHY?</u>
Nghe lời giảng của Linh Mục trong Thánh Lễ <i>Listen to a Priest's homily</i>	
Cầu Nguyện cho các Linh Mục <i>Pray for our Priest</i>	
Cảm kích các Linh Mục <i>Show appreciation</i>	
Hiểu biết vai trò của các Linh Mục <i>Understanding the roles of Priests</i>	

Homework

1. Nêu ra những vai trò của một người Linh Mục.

List the roles of the priest.

2. Tại sao các vai trò đó quan trọng?

Why are those roles important?

3. Linh Mục đại diện ai trong Thánh Lễ?

What does the priest act as during mass?

4. Chúa Giêsu thành lập ra hai bí tích nào trong buổi tiệc ly?

What are two sacraments that Jesus established during the Last Supper?

5. Làm sao hai bí tích đó kết đối với nhau?

How do those two sacraments go hand in hand?

Lợi Ích của Thánh Lễ

Benefits of Mass

Reading the Bible

John 6: 32-44

Jesus said to them, “I tell you the truth, it is not Moses who has given you the bread from heaven, but it is my Father who gives you the true bread from heaven. For the bread of God is he who comes down from heaven and gives life to the world.”

“Sir,” they said, “from now on give us this bread.”



Then Jesus declared, “I am the bread of life. He who comes to me will never go hungry, and he who believes in me will never be thirsty. But as I told you, you have seen me and still you do not believe. All that the Father gives me will come to me, and whoever comes to me I will never drive away. For I have come down from heaven not to do my will but to do the will of him who sent me. And this is the will of him who sent me, that I shall lose none of all that he has given me, but raise them up at the last day. For my Father’s will is that everyone who looks to the Son and believes in him shall have eternal life, and I will raise him up at the last day.”

At this the Jews began to grumble about him because he said, “I am the bread that came down from heaven.” They said, “Is this not Jesus, the son of Joseph, whose father and mother we know? How can he now say, ‘I came down from heaven’?”

“Stop grumbling among yourselves” Jesus answered. “No one can come to me unless the Father who sent me draws him, and I will raise him up at the last day.”

Studying Our Faith

Jesus gave people the greatest gifts in life, his flesh and blood. When we go to Mass, we not only receive that gifts, but we also get to know Jesus directly from his word. We get to know Jesus from how he lives, what he did, and what he taught. Therefore, if we listen to God’s words and live his words, you will have a chance at eternal life in heaven with him.

St. Thomas, the Prince of Theologians, wrote wonderfully of the Mass,

“The Mass,” he says, “obtains for sinners in mortal sin the grace of repentance. For the just, it obtains the remission of venial sins and the pardon of the pain due to sin. It obtains an increase of habitual [Sanctifying] grace, as well as all the graces necessary for their special needs.”



Saint Mechtilde is on the left, instructing novice and writing collaborator, Saint Gertrude
Missa Spíritus Dómini replévit orbem terrárum, allelúja
("...The Spirit of the Lord hath filled the whole world,

O ur Lord said to St. Mechtilde: "In mass I come with such humility that there is no sinner no matter how depraved he be, that I am not ready to receive, if only he desires it. I come with such sweetness and mercy that I will pardon my greatest enemies, if they ask for pardon. I come with such generosity that there is no one so poor that I will not fill him with the riches of my love. I come with such heavenly food as will strengthen the weakest, with such lights as will illumine the blindest, with such a plentitude of graces as will remove all miseries. Overcome all obstinacy and dissipate all fears."

Not only do we receive forgiveness, but for those poor souls who have died before us will receive the grace of God by our prayers. Listen closely next time you are in mass when we pray for the love ones and those that died before us. In addition, mass is a historic event, which traces back to when Jesus was alive and we get to witness that.

Mass is a place to go to be fed. We are fed the word of God through the reading of the scripture and then fed through the Eucharist. In both cases, it is like meeting good friends for a meal. Generally, at a dinner party, people sit around the table to eat and share stories of what has happened since they last met. The story telling is usually done while being physically nourished by a prepared meal.

Similarly, at Mass we recall what God did in the Old Testament, and what his only son, Jesus, did in the Gospels. Mass enables us to renew our sense of community and to strengthen us during the course of the week until we come and meet at Mass again.

In order to receive the benefit of Mass, you could listen to the Gospel and try to live out Jesus' message for the week, and even weeks. Actively, participate in Mass together as a whole community or even help out as an altar server or usher. We, as sinners, come to Mass searching for God's help in order to be forgiven and receive his grace. The most wonderful thing of all is having the opportunity to invite God into our body and soul. Every time we receive the Eucharist, we become closer to God. He will lead us to a better life, and ensure our place in heaven. Therefore, we should invite Jesus into our hearts by going to Church more often, pray, and listen to what he has to say.

Let us bow our heads and do the Spiritual Communion Prayer to receive Jesus in our body and soul at this moment.

Summary

Mass is a party, a celebration and we as the sons and daughters of God are invited to his table. As a benefit, we have the greatest gifts of all which is the flesh and blood of God. Every time we go to Mass, we get to receive that honor to bring Christ into our body and soul. In addition, we get to know God directly through his words every time we go to Mass. When we know who Jesus is as a person, what he did, and what he taught, we will become more like Jesus. Therefore, you are called to God's table to receive these benefits.

Living Our Faith



Romans 8:12-18

So then, my friends, we have an obligation, but it is not to live as our human nature wants us to. For if you live according to your human nature, you are going to die; but if by the Spirit you put to death your sinful actions, you will live. Those who are led by God's Spirit are God's children. For the Spirit that God has given you does not make you slaves and cause you to be afraid; instead, the Spirit makes you God's children, and by the Spirit's power we cry out to God, Father! My Father! God's Spirit joins himself to our spirits to declare that we are God's children. Since we are his children, we will possess the blessings he keeps for his people, and we will also possess with Christ what God has kept for him; for if we share Christ's suffering, we will also share his glory.

John 6: 48-51

I am the bread of life. Your forefathers ate the manna in the desert, yet they died. But here is the bread that comes down from heaven, which a man may eat and not die. I am the living bread that came down from heaven. If anyone eats of this bread, he will live forever. This bread is my flesh, which I will give for the life of the world."

Prayer

Lord Jesus, please help us be a better listener so that we may hear your words of wisdom that will bring us closer to you and to learn more about you and to love you more and more.

Practicing Our Faith

1. Do you receive the Eucharist weekly?
2. Do you actively participate in Mass?
3. Do you listen to God's Word?
4. Do you live accordingly to God's Word?
5. Do you go to Mass, just because your parent tells you to do so?

Homework

1. What are the benefits of Mass?

2. What do you as an individual promise to do in order to receive these benefits?

3. When was the last time you went to Church and felt really good and blessed inside?

4. What are two ways to receive God in Mass?

Bó Hoa Thiêng

Spiritual Bouquet

Fact Finding

Definition: A spiritual bouquet is an offering of prayers, sacrifices, and devotional acts by a youth member on behalf of another.

TNTT Definition: Spiritual bouquet is to help youth live TNTT mottos: **praying, communion, sacrifice, and charitable deeds.** Help our youth live out the Eucharistic day, staying connected with Jesus through morning/evening prayer, Bible study and spiritual communion.

Bó Hoa Thiêng's Template

	Dâng Ngày	Đọc Kinh Thánh	Hy Sinh	Làm Việc Tông Đồ	Rước Lễ Thiêng Liêng	Dâng Đêm
Monday						
Tuesday						
Wednesday						
Thursday						
Friday						
Saturday						
Sunday						
Total						

Summary

Bó Hoa Thiêng helps us connect with God everyday through morning prayer, reading the Bible, sacrifices, charitable deeds, spiritual communion, and night prayer. Keep doing Bo Hoa Thieng will help us become a better person everyday.

Homework

Design your own Bó Hoa Thiêng and do Bó Hoa Thiêng. Then return next week.



Vai Trò của Đội Trưởng, Đội Phó và Đội Viên

Roles of Team Captain, Assistant and Members

Fact Finding



I. VAI TRÒ NGƯỜI ĐỘI TRƯỞNG & ĐỘI PHÓ (*THE ROLES OF TEAM LEADER & ASSISTANT*)

1. **Đội Trưởng Là Ai? (*Team Leader, Who Are You?*)**

- Đội Trưởng là người có tư cách, óc thủ lĩnh, tinh thần trách nhiệm; là người có nhiều đức tính tốt và khả năng đặc biệt để hướng dẫn kẻ khác.
Team Leader is the one who has capacity, leadership, responsibility; one who has qualities and special talents to lead others.

- Đội Trưởng được chọn lựa và huấn luyện riêng trước khi được trao trách nhiệm trông coi một đội.
Team Leader is a person who is chosen and is trained separately before given the responsibilities of leading a team.

2. **Đội Phó Là Ai? (*Team Assistant, Who Are You?*)**

- Đội Phó là người cũng có những khả năng như Đội Trưởng và sẵn lòng giúp đỡ để làm cho đội tiến. Đội Phó là người thân cận nhất của Đội Trưởng.
Team assistant has the same talents as Team Leader and is ready to help make the team better. He is the closest one to the Team Leader.

- Đội Phó còn là cây cầu giữa Đội Trưởng và Đội Viên.
Team Assistant is also a bridge between Team Leader and other team members.

- Vì Đội Trưởng không thể làm tất cả mọi việc nên cần có Đội Phó giúp. Đội Phó cũng được huấn luyện như Đội Trưởng, vì sẽ thay Đội trưởng điều khiển đội khi Đội Trưởng vắng mặt.
Because Team Leader cannot do everything; therefore, s/he needs a Team Assistant to share some of the responsibilities. Team Assistant is also trained just like Team Leader as s/he will lead the team when Team Leader is absent.

- Trong việc huấn luyện Đội Viên, thường Đội trưởng lo cho các Đội Viên đã tuyên hứa hay khá. Đội Phó lo cho các Đội Viên mới hay còn kém.
In training the team, normally the Team Leader trains the old or better members. Team Assistant takes care of new members or weaker ones.

II. NHỮNG ĐỨC TÍNH CỦA NGƯỜI ĐỘI TRƯỞNG (*QUALITIES OF A TEAM LEADER*)

1. **Khoẻ Mạnh (*Physically sound*)**
2. **Bình tĩnh (*Calm*)**
3. **Hăng Hái (*Enthusiasm*)**

4. Vui Vẻ (*Cheerful*)
5. Quảng Đại (*Generosity*)
6. Vươn Lên (*Self Improve*)
7. Học Hỏi, Tìm Hiểu (*Self Study, Learn and Research*)
8. Thắng Không Kiêu, Bại Không Nản (*Not arrogant with success, not discouraged with failure*)
9. Gương Sáng (*Role Model*)
10. Cầu Nguyện, Hy Sinh (*Pray and sacrifice*)

III. NHỮNG NGUYÊN TẮC THÀNH CÔNG CỦA ĐỘI TRƯỞNG (*PRINCIPLES FOR A SUCCESSFUL TEAM LEADER*)

"The task of the leader is to get his people from where they are..."



*"...to where they have not been."
- Henry Kissinger*

1. Là Người Dẫn Đầu (*Be A Leader*)

Không để mặc ai muốn làm gì thì làm.

Don't let anyone do whatever he wants.

2. Là Anh, Chị, Bạn (*Be A Brother, Sister, And Friend*)

Luôn sẵn sàng hướng dẫn Đội Viên.

Always ready to guide, help other members of the team.

3. Có Lòng Chung Và Nêu Cao Uy Tín Đội (*Have Team Spirit And Raise Team's Reputation*)

Người đội trưởng phải biết giữ kỷ luật, tránh làm điều xấu mang tiếng cho mình và cho đội của mình.

Team leader has to have self-discipline. Avoid doing bad deeds, which cause bad reputations for him and the team.

4. Thân Mật Với Đội Viên, Cộng Tác Với Trưởng (*Friendly With Team Members And Cooperate With Group Leader*)

Đội phải như là một gia đình trong đó mọi người thương yêu giúp đỡ lẫn nhau, kính trọng nhau và cộng tác với nhau.

Team has to be like a family in which everyone helps each other, respects and cooperates with each other.

5. Hiểu Người Và Biết Trao Trách Nhiệm (*Know People And Delegate Responsibilities*)

Không làm hết mọi việc nhưng dành cái khó hơn cho mình.

Don't do everything but keep the harder work for him.

6. Công Bằng Và Thực Tâm (*Fairness and Sincere*)

Khi mọi người chia sẻ công việc đồng đều thì sẽ dễ dàng làm việc; và khi có thực tâm thì mọi người sẽ tôn trọng nhau và sẽ giúp nhau thăng tiến.

When everyone shares responsibilities equally, things will be done, and when everyone is frank to each other, that will help each of them better himself and the team.

7. Có Tổ Chức Và Có Lòng Tin (*Plan Everything, Have Faith*)

Muốn thành công cần phải chuẩn bị mọi việc, nghiên cứu kỹ càng, rồi tìm giải pháp thực hiện. Chia công tác rõ ràng, tin tưởng rồi tất cả cùng quyết chí thực hiện.

To be successful, one needs to prepare, research thoroughly, find solutions, plan actions, share responsibilities, have faith, and then determine to finish what need to be done.

8. Gây Bầu Khí vui Vẻ (Create A Cheerful Atmosphere)

Khi mọi người vui vẻ thì các công việc được thực hiện nhanh chóng.

When everyone is happy, the work gets done faster.

IV. RESPONSIBILITIES OF TEAM LEADER & ASSISTANT LEADER

- **Basic responsibilities**

- Create a contact list to communicate with each other
- Establish a priority list
- Explain and discuss questions amongst each other
- Keep track of points, attendance, and improvements

- **Contact List Sheet**

- Name, Address, Phone number, Parents' names
- Rank & Lessons
- Person in charge: ĐT

- **Score Sheet**

- Keep track of Attendance, Points and Scores
- Person in charge: ĐP

- **Spiritual Bouquet**

- Spiritual Method that everyone has to participate in
- Person in charge: ĐP

- **Đội Events List**

- List out all events that your group will participate in
- Person in charge: Secretary

- **Treasury**

- Collect & Keep track of group spending when necessary
- Person in charge: Treasurer

- **Team Leader Handbook/List**

- Record and set-up team meetings
- Write down special questions to answer during lessons
- To give consent to group spending and keep track of group spending

Summary

A real group leader takes initiative when the group is falling behind. A group leader makes sure everyone in the group is happy and safe. Most importantly, a group leader takes responsibility. In the group, it is important for a group leader to be fair, cheerful, friendly, and have as much good qualities as possible. The group vice leader has the responsibility to help out the leader whenever he or she is not there or when there is a task too big for the group leader to handle. Being a group leader is difficult, but if you try hard, you will be a well-rounded individual.

Homework

Do you try to be a leader in your group?

Do you participate in your group activities?

Do you motivate your teammates in all group activities?

Do you keep your group behind?

Do you help out your DT or DP or any group members?

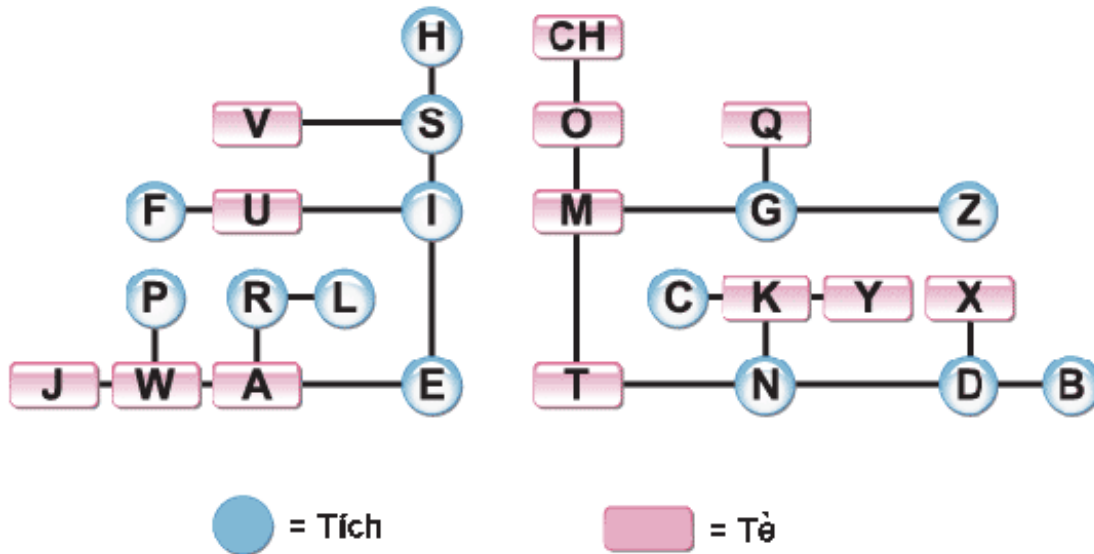


Nhận Bản Tin Morse Ngắn

Short Morse Messages

Fact Finding

- Named after Samuel Morse, it was used for early radio communication before it was possible to transmit voice. Morse code has been used for more than 160 years, most influentially during the development of aviation. It was the only means of communications for pilots. In addition it was used as an international standard for maritime communications until 1999.
- In the late 19th and early 20th century, most high-speed international communication used Morse code on telegraph lines, undersea cables and radio circuits, because it could be read by humans without a decoding device. Morse is sometimes a useful alternative to synthesize speech.
- Morse code is one of the simplest and most versatile methods of sending emergency signals.



Letter	Morse	Letter	Morse	Digit	Morse
A	.-	N	-.	0	-----
B	-...	O	---	1	-----
C	-.-.	P	.-.-	2	..---
D	-..	Q	-.-.-	3	...--
E	.	R	.-.	4-
F	..-.	S	...	5
G	--.	T	-	6	-....
H	U	..-	7	-...-
I	..	V	...-	8	---..
J	.-.-	W	.-.-	9	-----.
K	-.-	X	-..-		
L	.-..	Y	-.-.-		
M	--	Z	-.-.		

Important messages and Vietnamese characters:

Message	Morse	Các Chữ Có Dấu	Các Dấu
Mời nhận bản tin (4A):	. _ / . _ / . _ / . _	Chữ Â: AA	Sắc (/) thay bằng chữ S
Sẵn sàng nhận tin (K):	_ . _	Chữ Ă: AW	Hỏi (?) thay bằng chữ Z
Hết bản tin (AR):	. _ / . _ .	Chữ Ê: EE	Nặng (.) thay bằng chữ J
Truyền lầm (HH): /	Chữ Ơ: OW	Huyền (\) thay bằng Q
Xin truyền lại (IMI):	. . / _ _ / . .	Chữ Ô: OO	Ngã (~) thay bằng chữ X
Xin chờ đợi (AS):	. _ / . . .	Chữ Ư: UW	
Cấp cứu (SOS):	. . . / _ _ _ / . . .	Chữ Đ: DD	
Xin đánh chậm lại (VL):	. . . _ /		
Hiểu Rồi (R):	. _ .		
Thối lại chữ trước (C)	- . -		

Application

Now that we reviewed the Morse alphabet, let try and see if you can receive and decode these messages

Message	Decoded Message
1.	
2.	

Summary

- Morse is a vital tool in VEYS to sharpen the listening skills of the youth
- During big games or faith journeys, Morse can be used to send secret messages, making it more fun and interesting
- Morse sets VEYS apart from many other youth groups that do not use Morse
- Morse expands the knowledge of the youth, so they can learn a special skill to become a better leader
- PRACTICE! PRACTICE! PRACTICE! Morse takes times to get good at! The more you listen, the easier it will be to receive! ☺

Prayer

Oh Lord, please teach me to open my ears, and listen to your call. Grant me understanding so I may know what is right and what is wrong in my words and my actions. I thank you for the skills and the talents you have given me, let me always remember to share these gifts with others, as a leader, to bring people closer to you. Amen

Homework

1. When do you need to use Morse?

2. What is the purpose of Morse in VEYS?

3. How does a dash and a dot sound like?



Nhận Bản Tin Morse Dài

Long Morse Messages

Fact Finding

Now let us review everything we know about Morse Code

Morse Alphabet

Letter	Morse	Letter	Morse	Digit	Morse
A	.-	N	-.	0	-----
B	-...	O	---	1	-----
C	-.-.	P	.-.	2	..---
D	-..	Q	--.	3	...--
E	.	R	.-.	4-
F	..-.	S	...	5
G	--.	T	-	6	-....
H	U	..-	7	--...
I	..	V	...-	8	---..
J	.---	W	.-.	9	----.
K	-.-	X	-.-		
L	.-.	Y	-.--		
M	--	Z	--..		

Important messages and Vietnamese characters:

Message	Morse	Các Chữ Có Dấu	Các Dấu
Mời nhận bản tin (4A):	. _ / . _ / . _ / . _	Chữ Â: AA	Sắc (/) thay bằng chữ S
Sẵn sàng nhận tin (K):	_ . _	Chữ Ă: AW	Hỏi (?) thay bằng chữ Z
Hết bản tin (AR):	. _ / . _ .	Chữ Ê: EE	Nặng (.) thay bằng chữ J
Truyền lầm (HH): /	Chữ Ơ: OW	Huyền (\) thay bằng Q
Xin truyền lại (IMI):	.. / _ _ / ..	Chữ Ô: OO	Ngã (~) thay bằng chữ X
Xin chờ đợi (AS):	. _ / ...	Chữ Ư: UW	
Cấp cứu (SOS):	... / _ _ _ / ...	Chữ Đ: DD	
Xin đánh chậm lại (VL):	... _ / ...		
Hiểu Rồi (R):	. _ .		
Thối lại chữ trước (C)	-. .		

Application

At this point, các em probably are Master of Morse Code. Let's challenge your skill with a long message that is 10 words or more. Are you ready?

Message	Decoded Message
1.	
2.	

Summary

- Morse is a vital tool in VEYS to sharpen the listening skills of the youth
- During big games or faith journeys, Morse can be used to send secret messages, making it more full and interesting
- Morse sets VEYS apart from many other youth groups that do not use Morse
- Morse expands the knowledge of the youth, so they can learn a special skill to become a better leader
- PRACTICE! PRACTICE! PRACTICE! Morse takes times to get good at! The more you listen, the easier it will be to receive! 😊

Prayer



Dear Jesus, help me learn to work with my team and remember Morse.

Homework

1. How does Morse bring us closer to God?

2. Please decode the following message:

.-../.- /-.-./.-./.../..-/.-./.../-./..../.../..-/-/.../
.-/-./.../.../-/..././.-./-./-./-./-./-./.../..-/-/././
-./.../-.-./.../..-/.-/...

Cờ Danh Dự

The Flag of Honor

Fact Finding

Cờ Danh Dự is given during giờ khen thưởng/award ceremony as the last award.

Cờ Danh Dự is an honor and means Flag of Honor. It is the highest award that you can get at any TNTT event.

Cờ Danh Dự is given to the team that shows the highest level of:

- Phụng Vụ (*Liturgy*)
- Học Tập (*Learning*)
- Tinh Thần Đồng Đội (*Team Spirit*)
- Thi Đua (*Competitive Spirit*)



Prayer

Dear God, please help us remember you every time our đội get Cờ Danh Dự. Remind us that everything we do, we do it for you.

Homework

Go home and

- Have Spiritual Communion
- Learn something new
- Work on a project or assignment in a team
- Have some friendly competition (sports, game, etc.) with someone else



Họp Đội

Team Meeting

Fact Finding

Hôm nay, chúng ta sẽ học về Họp Đội. Đối với em, thế nào là Họp Đội?

Họp Đội là một hình thức hội họp quan trọng được áp dụng thường xuyên để huấn luyện Đoàn Sinh theo Chương Trình Thăng Tiến. Phong Trào Thiếu Nhi Thánh Thể dùng các buổi hội họp là môi trường chính cho công việc giáo dục các thành viên trong đoàn. Sau đây là một số điều em cần biết về Họp Đội:

- Là thành viên của Phong Trào Thiếu Nhi Thánh Thể, các em phải tham dự các buổi Họp Đội, Chi Đoàn, Xứ Đoàn để học tập, sinh hoạt, gây tinh thần đoàn thể.
- Bất cứ buổi họp nào cũng cần phải có nội dung, tức là phải có chuẩn bị trước, tinh thần buổi họp phải dân chủ, thân ái, đạo đức, vui tươi, sinh động.
- Phải bắt đầu và kết thúc đúng giờ.

Như vậy, ai là người điều hành một buổi Họp Đội, Đó chính là người Đội Trưởng.

- Đội Trưởng có trách nhiệm điều động các Đội Viên trong Đội mình chuẩn bị bài khóa và các sinh hoạt.
- Đội Trưởng nên đọc trước các phần Nghi Thức để không bị thiếu sót.

Họp Đội còn mang ý nghĩa hướng dẫn và phát triển các đoàn sinh một cách tự nhiên và siêu nhiên. Tầm quan trọng của Họp Đội tăng theo lứa tuổi của Đoàn Sinh.

- Đối với các em Ngành Ấu, họp Chi Đoàn mang lại nhiều hiệu quả hơn là họp Đội.
- Đối với ngành Thiếu Nhi, sinh hoạt Đội cũng quan trọng như sinh hoạt Chi Đoàn. Vì thế cần họp đội hàng tuần.
- Đối với ngành Nghĩa Sĩ, sinh hoạt Đội là quan trọng hơn cả. Chi Đoàn có tính cách hướng dẫn và tổng hợp các sinh hoạt đội.
- Đối với ngành Hiệp Sĩ, sinh hoạt theo Đội là quan trọng, nhấn mạnh đến sự thăng tiến cho đội viên.

Sau khi biết Họp Đội là như thế nào rồi. Em có nao nức và sẵn sàng để Họp Đội chưa?

Prayer

Lạy Chúa, xin giúp cho buổi họp đội của đội con được thân ái và thành công như ý Chúa. Amen.

Homework

Plan a “mock” team meeting

Thiếu Nhi Tân Hành Ca

Song

Thiếu Nhi Tân Hành Ca

Thiếu Nhi Việt Nam đứng lên trong
giai đoạn mới. Theo tiếng Giáo Hội và
tiếng Quê Hương kêu mời. Được trang bị vững
mạnh bằng tinh thần mới. Tuổi trẻ Việt
Nam hăng hái xây thế hệ ngày mai.
Cùng đi hỏi các Thiếu Nhi. Cùng đi với
Chúa Ki-tô. Nguồn sống Thánh Thể chan hòa
là lý tưởng của người Thiếu Nhi hôm nay.

Thiếu Nhi Việt Nam quyết tâm trong giai đoạn
mới. Thánh hóa môi trường rèn những khả
năng phi thường. Bằng Nguyễn Cửu, Hy
Sinh và một bầu khí mới. Tuổi trẻ Việt
Nam đem Chúa cho Giới Trẻ Việt Nam.

Meaning of Song



Vietnamese youths stand up in the new period, following the call of the Church and the fatherland. Equipped with powerful new spirit, the Vietnamese youths are eager to build tomorrow's generation.

Let's go, the Vietnamese youths! Let's go with Christ! Living the Eucharist, the source of harmony, is the ideal of this new generation.

Vietnam youths are determined in the new period. Sanctification environment wrought extraordinary abilities. By prayer, sacrifice and a new atmosphere, Vietnamese youths spread the word of God to the Vietnamese Generation.

Quốc Ca Việt Nam

Song

Này công dân ơi, Đứng lên đáp lời sông núi, đồng lòng cùng đi hy sinh tiếc gì thân sống. Vì tương lai quốc dân cùng xông pha khói tên, làm sao cho núi sông từ nay luôn vững bền. Dù cho phơi thây trên gươm giáo, thù nước lấy máu đào đem báo. Nòi giống, lúc biến phải cần giải nguy, người công dân luôn vững bền tâm trí, hùng tráng quyết chiến đấu làm cho khắp nơi vang tiếng người nước Nam cho đến muôn đời. Công dân ơi, mau hiến thân dưới cờ. Công dân ơi, mau làm cho cõi bờ, thoát con tàn phá, về vang nòi giống xứng danh nghìn năm dòng giống Lạc Hồng.

Meaning of Song

Oh citizens! Stand up to respond to the fatherland's request!
 With the same heart we go, sacrifice ourselves, and don't regret our lives.
 For our people's future, together we enter the warfare with courage!
 Try to secure our fatherland to be always durable from now on!
 Even if our corpses display on weapons,
 For national revenge, we should take our rosy blood to avenge!
 When our race has calamity, we must deliver our people from danger!
 Citizens should always be stable in mind!
 Determine mightily to struggle everywhere,
 To make Vietnamese reputation resound forever!
 Oh citizens! Hurry up to offer your lives under the national flag!
 Oh citizens! Hurry up to help our fatherland
 Escape from destruction, make our race glorious,
 To be eternally worthy of the Lạc Hồng race!



Praise Him

Song

Praise Him, praise Him,
praise Him in the morning,
praise Him in the noonday.
Praise Him, praise Him,
praise Him when the sun goes down.

When I wake up in the morning,
the first thing I like to do is lift my hands
and tell God, "thank You",
'cause He's the one that helped me make it
through.

All the glory, all the honor,
we will give to You right now,
Father, Son and Holy Ghost power, we
should...

Love Him, love Him,
Love Him in the morning,
Love Him in the noonday.
Love Him, love Him,

Love Him when the sun goes down.
With my hands, I will bless Him.
With my voice, I will sing His praises.
With a dance, I will bless Him.
I will shout for joy every chance I get.

With my hands, I will bless Him.
With my voice, I will sing His praises.
With a dance, I will bless Him.

I will shout for joy...
I will praise Him,
I will praise Him,
I will praise Him.
Praise, praise,
praise, praise.
Praise, praise, praise,
Praise Him.

Praise Him in the morning,
praise Him in the noonday,
praise Him when the sun goes... down



Meaning of Song

We need to remember Jesus all the time as we practice Sống Ngày Thánh Thể. We thank him in the morning for a good night sleep. Then during the day, we ask for his blesses and protection. In night time, we pray and say thanks to him before going to bed.

This Is My Commandment

Song

This is my commandment,
That you love one another
That your joy may be full;
This is my commandment,
That you love one another
That your joy may be full;
That your joy may be full;
That your joy may be full,
That your joy may be full.
This is my commandment,
That you love one another
That your joy may be full.

<http://www.youtube.com/watch?v=cybKNNz5vO0>

Meaning of Song

Just like the time when Moses received the Ten Commandment, God told the Israelites to remember his words. In addition to, now Jesus teaches us a new commandment. That is to love one another.



NOTE: ALL INFORMATIONS ON THIS DOCUMENT WAS RETRIEVED FROM VARIOUS STES ON THE WORLD WIDE WEB. THIS DOCUMENT IS NOT INTENDED FOR COMMERCIAL SALES OR DISTRIBUTION FOR PERSONAL FINANCIAL BENEFIT.